



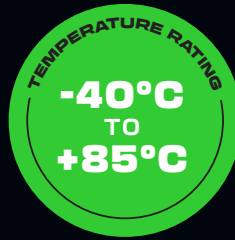
ATOM 60

LED WORK LAMPS

Dura Vision ATOM LED work lamps have proved their high performance and rugged construction in some of the most harsh environments. Available in 3 output options, the Atoms cover a wide range of applications from work lights on light vehicles to lighting stairways, gangways and service areas on large machines. Their high light output relative to size, along with their IP68 waterproof rating, makes them extremely versatile.



MINING & HEAVY MACHINERY LIGHTING



PRODUCT NAME	ATOM 60 LED WORK LAMP
MODEL	ATOM 60
WATTAGE	60W
BEAM ANGLE	25°, 40°, 60°, 70x40°, 110°
LIGHT OUTPUT RAW	7,595lm
LIGHT OUTPUT EFFECTIVE	5,925lm
VOLTAGE	9-36V or 24V only
OPERATING TEMP	-40°C to +85°C
IP RATING	IP69
VIBRATION RATING	25G rms
CONNECTOR TYPE	2 Pin Deutsch
HOUSING	Die-Cast Alloy
LENS	Polycarbonate
BRACKET	5mm Stainless Steel
CURRENT DRAW	2.5A @ 24V
CRI	70CRI
CCT/KELVIN	3000K, 4000K or 5700K
DIMENSIONS	156x138x99mm
NET WEIGHT	2.5kg
EMC RATING	CISPR 25 Class 3
MOUNTING SUITABLE	Upright & Pendant
EXPECTED LIFESPAN	50,000 hours
WARRANTY	5 Years

Find out more at dura-vision.com.au or call 1800 66 55 66



ATOM 60

LED WORK LAMPS

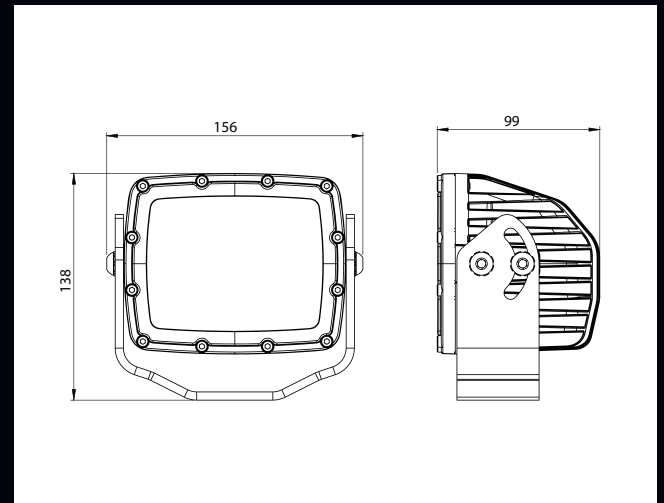
DESIGNED FOR

- ✓ HAUL TRUCKS
- ✓ TRUCKS
- ✓ GRADERS
- ✓ VEHICLE FLOOD LIGHTING
- ✓ MOBILE MECHANICS
- ✓ UNDERGROUND DRILL RIGS
- ✓ UNDERGROUND GENERAL LIGHTING
- ✓ EMI SENSITIVE APPLICATIONS
- ✓ UNDERGROUND WHEEL LOADERS
- ✓ TRUCKS
- ✓ VEHICLE FLOOD LIGHTING
- ✓ MOBILE MECHANICS



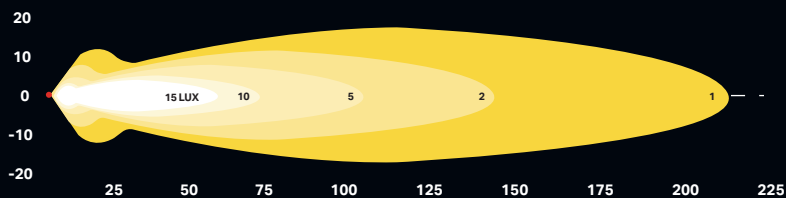
MINING & HEAVY MACHINERY LIGHTING

TECHNICAL DRAWINGS



BEAM PATTERNS

60 WATT EURO BEAM 210M USABLE LIGHT



60 WATT WIDE FLOOD BEAM 120M USABLE LIGHT

