



VORTEX™ PRO

LED HIGHBAY & LOWBAY
80W-200W

The all new Australian Made Vortex™ is designed to replace conventional high bay lighting such as metal halide or induction lighting used in indoor and outdoor applications. The Vortex™ is one of the most energy efficient LED high bay lights available in Australia. The stunningly beautiful design is based on the Vortex™ cooling concept and the diffuse lens option provides a moon-like appearance with minimal glare.



COMMERCIAL & INDUSTRIAL LIGHTING



PRODUCT NAME	VORTEX™ PRO LED HIGHBAY			
PART NUMBER (STANDARD*)	VTX3-1-5-A-C*	VTX3-2-5-A-C*	VTX3-3-5-A-C*	VTX3-4-5-A-C*
POWER CONSUMPTION	80W	120W	160W	200W
LIGHT OUTPUT EFFECTIVE	13,204 lm	18,812 lm	23,873 lm	28,585 lm
LED EFFICACY	165 lm/W	157 lm/W	149 lm/W	143 lm/W
IP RATING	IP66			
OPERATING TEMP °C	-40°C to +50°C*			
NOMINAL VOLTAGE	230V/AC			
POWER FACTOR	>0.95			
THERMAL MANAGEMENT	Electronic Active/Continuous			
CRI	Typical 80+ CRI			
CCT/KELVIN	3000K, 4000K & 5000K**			
LED BIN SELECTION	3 SCDM Ellipses			
HOUSING	Die-Cast Aluminium			
FIXINGS	304 Stainless Steel			
LINE CURRENT (230V/AC)	0.35A	0.55A	0.70A	0.87A
DRIVER	Internal	Internal	Internal	External
LENS	PMMA or Polycarbonate			
CABLE TYPE	3pin Aust Moulded Plug			
CABLE LENGTH	3 Meters			1.8 Meters
EXPECTED LIFESPAN	50,000 hours to 70% Brightness			
SURGE PROTECTION	10kV			
NET WEIGHT	7.5kg			
BOX DIMENSIONS	420x420x190mm			
EMC COMPLIANCE	AS/NZS CISPR15			
SAFETY COMPLIANCE	AS/NZS 60598.1			
WARRANTY	7 YEARS			

Find out more at dura-vision.com.au or call 1800 66 55 66

*-45°C Available on special request. **5000K Standard CCT (Kelvin). All information subject to change without notice. V01.06.24



VORTEX™ PRO

LED Highbay & Lowbay
80W-200W

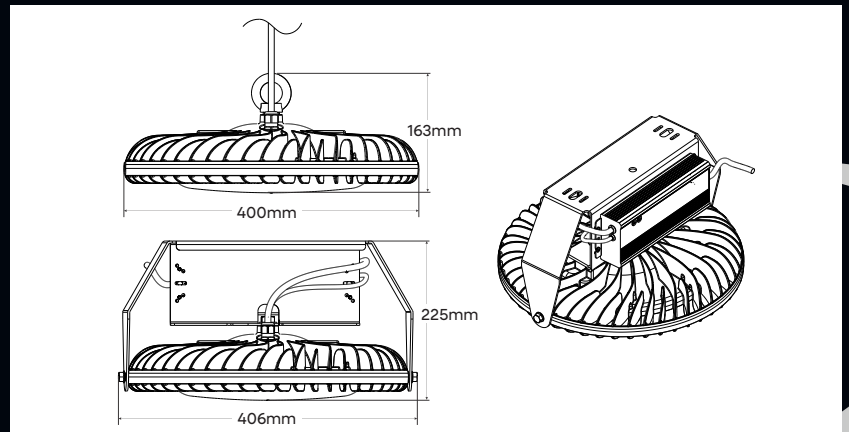


COMMERCIAL & INDUSTRIAL LIGHTING

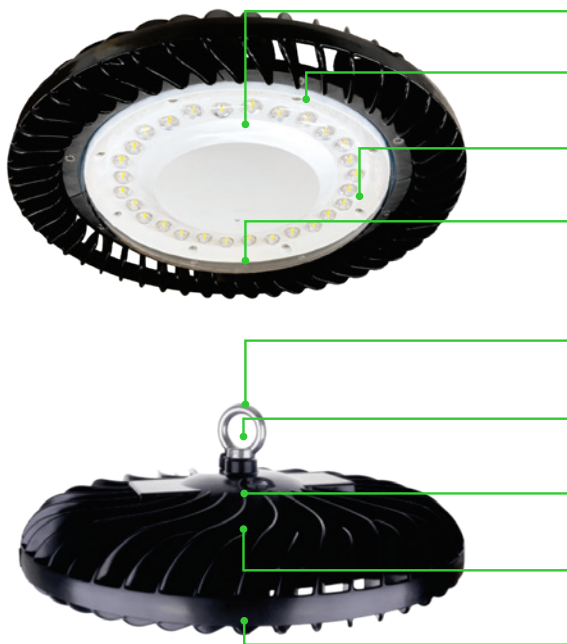
DESIGNED FOR

- ✓ WAREHOUSE AISLES
- ✓ POULTRY SHEDS
- ✓ RETAIL & DISTRIBUTION CENTRES
- ✓ WORKSHOPS
- ✓ MEZZANINES
- ✓ RETAIL STORES

TECHNICAL DRAWINGS



FEATURES



ENHANCED OPTICAL SUB-SYSTEM

28 Precision Optics for superior beam control.

HIGH EFFICACY LEDs

Luxeon 7070 LEDs by LUMILEDS, the global leader in light engine technology.

DURABLE ANTI-CORROSION FIXINGS

High Corrosion Resistant 304 Stainless Steel fixing. 18% chromium and 8% nickel.

UV STABLE OUTER LENS

Outer lens available in clear or diffuse (reduced glare) options.

STAINLESS STEEL MOUNTING EYE

Bracket and ceiling mounting options are also available.

SILICONE MAINS CABLE

Resistance to extreme high and low temperature environments, -40°C to +50°C.

ULTRA RELIABLE LED POWER SUPPLY

High temperature electrolytic capacitors for extended power supply lifetime.

REFINED AESTHETICS

For use in both industrial and architectural applications.

CORROSION RESISTANT HOUSING

Low copper die cast passivated aluminium with durable epoxy Powder Coat.



VORTEX™ PRO

LED Highbay & Lowbay
80W-200W

ORDERING EXAMPLE

VTX1 - 3 - 50 - D - C

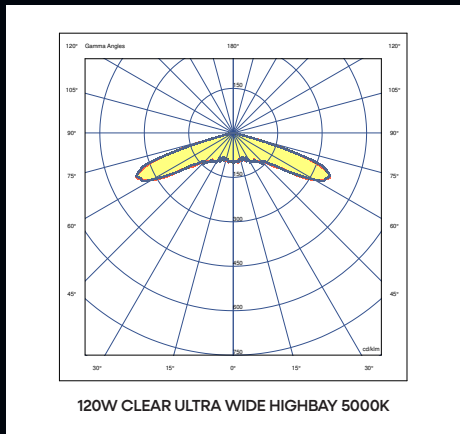
MODEL SERIES (Wattage) CCT BEAM TYPE LENS TYPE

MODEL	SERIES	CCT (KELVIN)	BEAM TYPE	LENS TYPE
VTX3 (VORTEX)	1 (80W LAMPS)	40 (4000K)	D (ULTRA WIDE)	C PMMA (CLEAR)
	2 (120W LAMPS)	50 (5000K)		
	3 (160W LAMPS)			
	4 (200W LAMPS)			



CEILING ROSE MOUNT OPTION

BEAM TYPE



56 SERIES PLUG OPTION